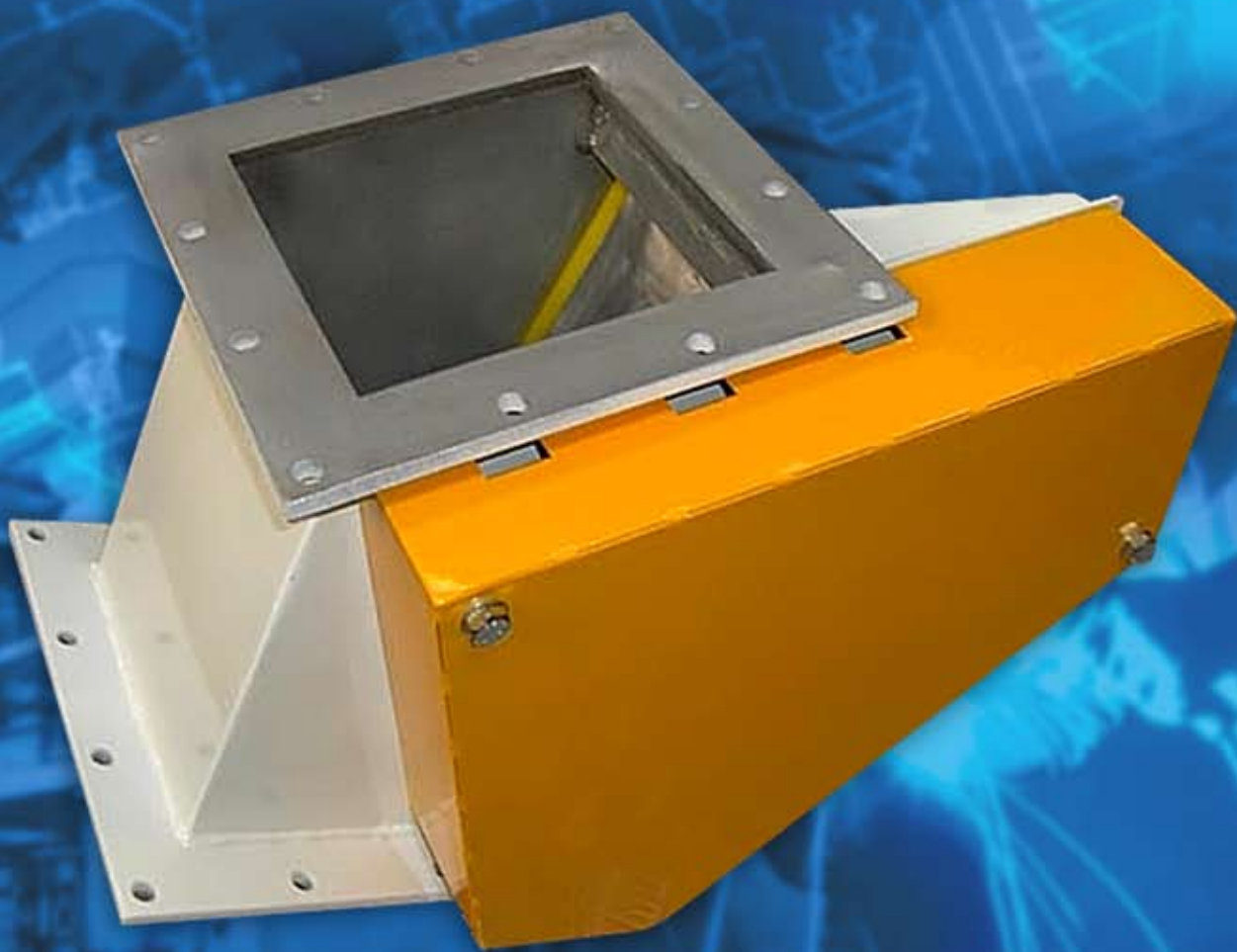


BETTER IN DIVERTER VALVES

Gravity feed diverter valve Type GFD



 **tbma**

www.tbma.com

Components for Dry Solids Handling

SAMPLING * DOSING * MIXING * STORAGE * CONVEYING * DEDUSTING * DISCHARGING * FILLING * ENGINEERING



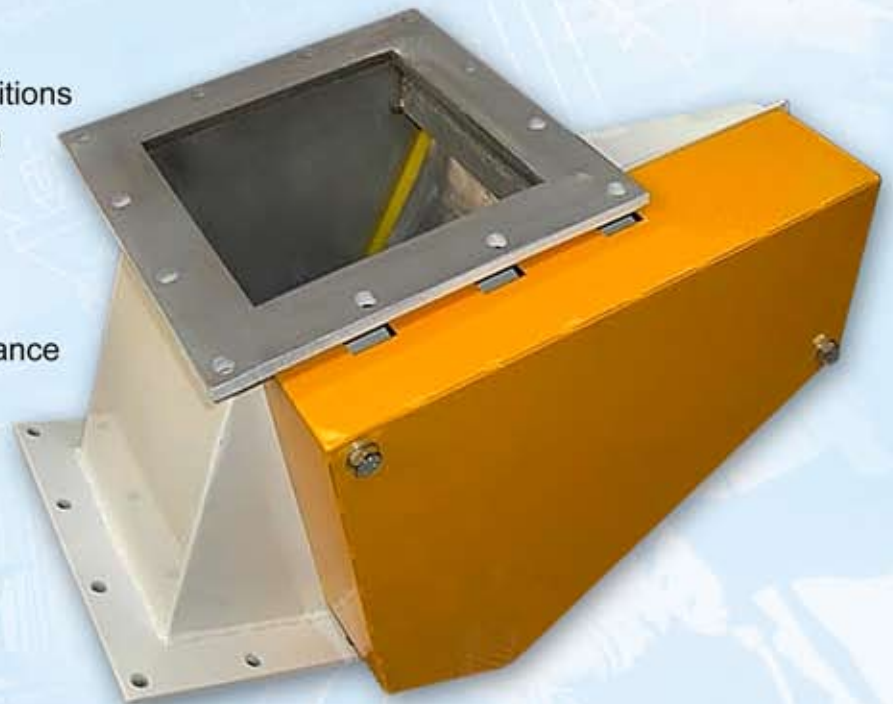
Gravity feed diverter valve type GFD

Application

Gravity feed diverter valves are designed to re-route powder, pellets or granular material from one discharge point to another in chute- and free-fall application. Manufactured in four basic sizes based on a 30 degree divert angle, the units are fabricated versions, allowing them to be tailor made, to suit specific duties and needs. The divert angles can be changed to suit the application and product, with also, the variation of inlet, outlet formats and flanges. The flexibility of the design allows heavier duty applications to suit your needs.

Standard design features

- Divert angle ensures good flow conditions
- Compact rugged design/construction
- Smooth internals
 - with negligible lodgement areas
- Low pressure drop
 - minimal transition effect
- Simple access and minimal maintenance
- Good sealing effect
- Wide selection of materials
- Pneumatic and/or manual actuation
- Available in 4 sizes ranging from 50 up to 300 mm



Construction

Generally fabricated from 3mm plate in Mild or Stainless Steel.

The internal flap is manufactured with two plates sandwiching a polyurethane wiper seal, to ensure there is adequate sealing to the non-operational leg. The whole assembly is mounted on the main spindle which is supported externally by two sealed for life 2-bolt flanged ball bearings.

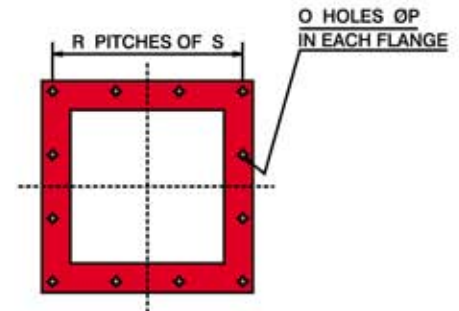
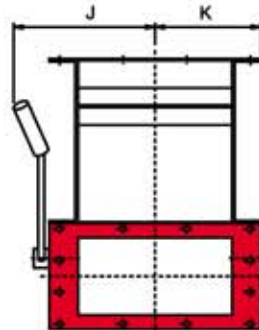
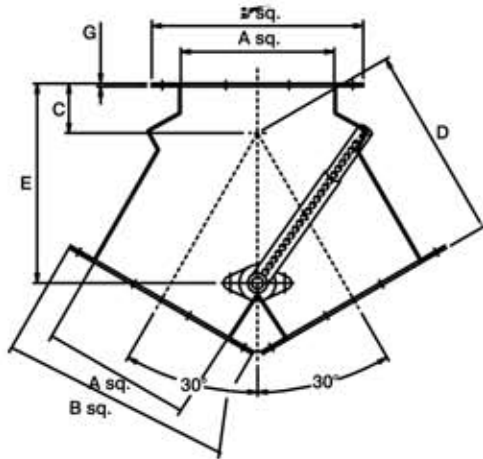
The pneumatically operated unit is actuated by an air cylinder complete with five port, four-way single solenoid spring return valve and internal piping. Limit switches are also fitted as standard equipment and positioned to indicate open / closed conditions. The manual version is operated by a smooth action handle. All pneumatic or electrical switches are fully enclosed for safety reasons.

These diverters are manufactured in 4 sizes based on a 30° divert angle.

Because of the fabricated design executions can be tailor made to accommodate many variations and options relating to divert angles, two- or three-way diversion, inlet sizes and form (square, rectangular and round).

Dimensions type GFD diverter valve

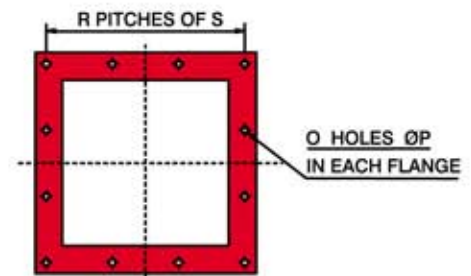
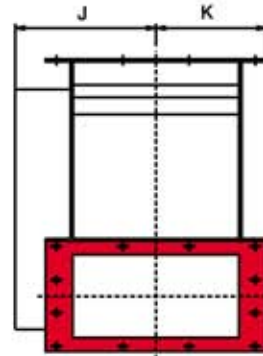
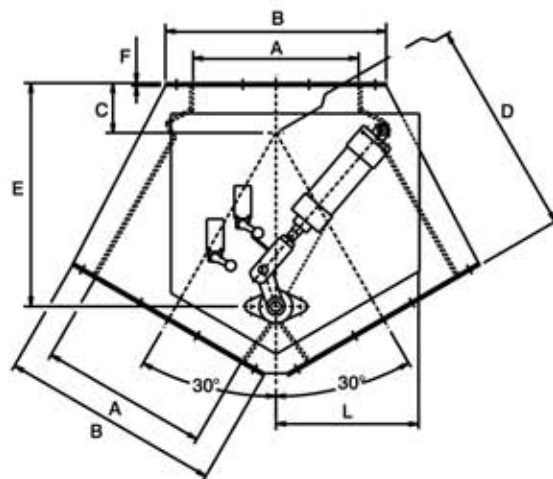
30 x 30 Manual Square



Dimensions are in mm unless stated otherwise
Dimension are subject to change

| SIZE | A | B | C | D | E | G | J | K | O | P | R | S |
|------|-----|-----|----|-----|-----|---|-----|-----|----|----|---|-----|
| 150 | 152 | 250 | 70 | 256 | 243 | 3 | 185 | 125 | 8 | 12 | 2 | 110 |
| 200 | 203 | 300 | 75 | 288 | 285 | 3 | 210 | 150 | 12 | 12 | 3 | 90 |
| 250 | 254 | 350 | 82 | 321 | 330 | 5 | 235 | 175 | 12 | 12 | 3 | 105 |
| 350 | 350 | 450 | 89 | 432 | 430 | 5 | 290 | 225 | 12 | 12 | 3 | 140 |

30 x 30 Pneumatic Square



Dimensions are in mm unless stated otherwise
Dimension are subject to change

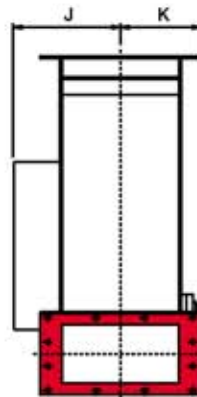
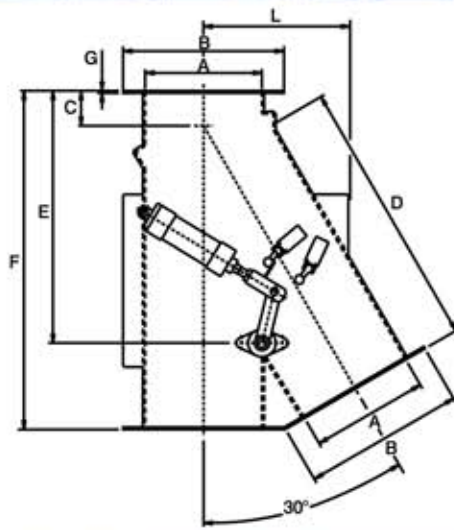
| SIZE | A | B | C | D | E | G | J | K | L | O | P | R | S |
|------|-----|-----|-----|-----|-----|---|-----|-----|-----|----|----|---|-----|
| 150 | 152 | 250 | 70 | 256 | 243 | 3 | 188 | 125 | 355 | 8 | 12 | 2 | 110 |
| 200 | 203 | 300 | 75 | 288 | 285 | 3 | 214 | 150 | 315 | 12 | 12 | 3 | 90 |
| 250 | 254 | 350 | 82 | 321 | 330 | 5 | 241 | 175 | 270 | 12 | 12 | 3 | 105 |
| 300 | 300 | 400 | 90 | 392 | 404 | 5 | 264 | 200 | 260 | 12 | 12 | 3 | 120 |
| 350 | 350 | 450 | 89 | 432 | 430 | 5 | 310 | 225 | 300 | 12 | 12 | 3 | 140 |
| 400 | 400 | 500 | 130 | 500 | 526 | 5 | 335 | 250 | 345 | 16 | 12 | 4 | 115 |
| 500 | 500 | 600 | 130 | 565 | 605 | 5 | 410 | 305 | 435 | 16 | 12 | 4 | 140 |

TBMA Europe bv, P.O. Box 140, NL-2210 AC Noordwijkerhout - Holland

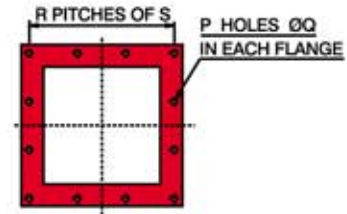
E-mail: sales@tbma.com Tel.: +31(0) 252 37 50 68

www.tbma.com

Dimensions type GFD diverter valve

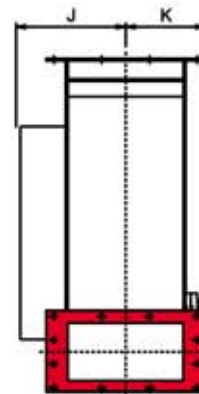
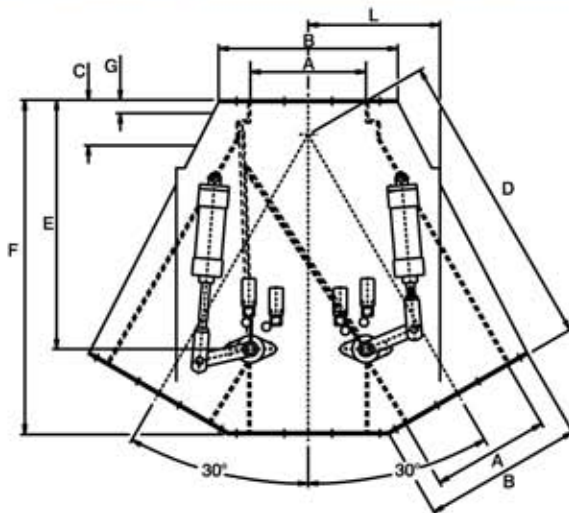


0 x 30 Pneumatic Square



Dimensions are in mm unless stated otherwise
Dimension are subject to change

| SIZE | | A | B | C | D | E | F | G | J | K | L | O | P | R | S |
|------------|-----|-----|-----|-----|-----|-----|-----|---|-----|-----|-----|----|----|---|-----|
| VALVE SIZE | 150 | 152 | 250 | 70 | 476 | 346 | 546 | 3 | 188 | 125 | 340 | 8 | 12 | 2 | 110 |
| | 200 | 203 | 300 | 76 | 565 | 458 | 641 | 5 | 216 | 150 | 330 | 12 | 12 | 3 | 90 |
| | 250 | 254 | 350 | 76 | 660 | 548 | 736 | 5 | 241 | 175 | 310 | 12 | 12 | 3 | 105 |
| | 300 | 300 | 400 | 76 | 826 | 656 | 902 | 5 | 280 | 200 | 370 | 12 | 12 | 3 | 120 |
| | 350 | 350 | 450 | 108 | 868 | 772 | 976 | 5 | 305 | 225 | 280 | 12 | 12 | 3 | 140 |



30 x 0 x 30 Pneumatic Square

| SIZE | | A | B | C | D | E | F | G | J | K | L | O | P | R | S |
|------------|-----|-----|-----|----|-----|-----|-----|---|-----|-----|-----|----|----|---|-----|
| VALVE SIZE | 150 | 152 | 250 | 70 | 476 | 346 | 546 | 5 | 216 | 125 | 355 | 8 | 12 | 2 | 110 |
| | 200 | 203 | 300 | 76 | 565 | 458 | 641 | 5 | 216 | 150 | 250 | 12 | 12 | 3 | 90 |
| | 250 | 254 | 350 | 76 | 660 | 548 | 736 | 5 | 241 | 175 | 290 | 12 | 12 | 3 | 105 |
| | 300 | 300 | 400 | 76 | 826 | 656 | 902 | 5 | 280 | 200 | 465 | 12 | 12 | 3 | 120 |

TBMA Europe bv, P.O. Box 140, NL-2210 AC Noordwijkerhout - Holland

E-mail: sales@tbma.com Tel.: +31(0) 252 37 50 68

www.tbma.com