



Volumetric Feeders For Dry Solids

Models 101 and 130

Standard features

- Large inlet area eliminates bridging potential
- All steel construction
- Drive shaft and seal housing 304 stainless steel
- Metering auger is 316 stainless steel
- Modular construction for easy component change
- Sturdy base plate for stability and ease of installation
- Dust-tight, heavy-duty construction
- Less than 25 dbA when empty

Optional or Accessory Equipment

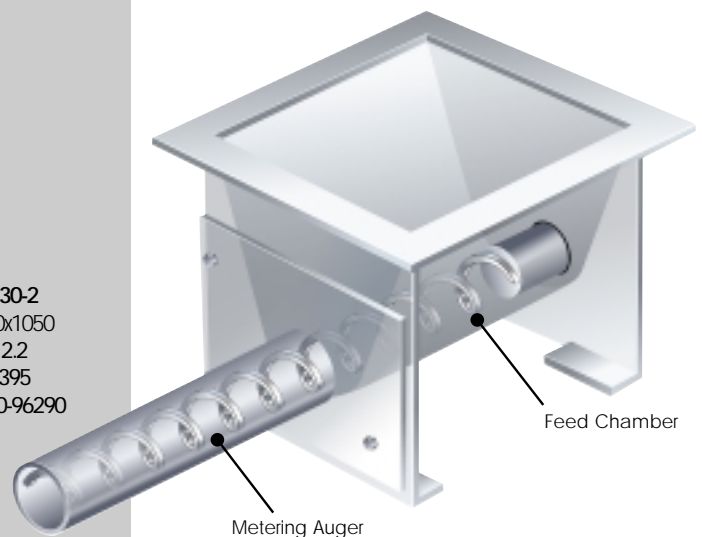
- Standard hoppers constructed of mild or stainless steel
- Quick-disconnect construction for ease of cleanout
- Sanitary construction to satisfy USDA and FDA codes
- High temperature construction
- Extended length metering auger
- Loss in weight configuration

Model Summary

Model Ref	101-0	101-1	130-0	130-1	130-2
Inlet mm	180x250	230x440	300x750	380x900	510x1050
Standard DC Motor kW	0.37	0.55	0.75	1.5	2.2
Approx. kgs	80	105	140	240	395
Feed Range l/h	0.1-980	84-5380	610-16990	1700-33980	3400-96290

Due to continuous product development, specifications may be subject to change. See data sheet for further technical information.

A heavy duty and reliable single auger volumetric feeder designed to precisely meter free-flowing and granular materials. Particularly suitable for repeatability of variable feed rates



Test Centre

We operate a fully equipped test facility at our Manchester, UK headquarters. Customers are encouraged to witness trials on their products, not only at full production rates but also over extended periods, to allow a comprehensive evaluation of feeder performance.



More Support

Should you have an application for which you believe our metering feeders would be suited then please do not hesitate to give us a call or visit our web site at www.acrisonint.net We would be delighted to have the opportunity to tell you more.

Customer Satisfaction

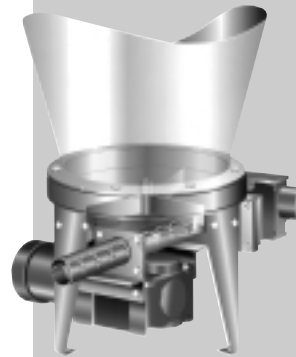
This is our primary aim through offering the very best in solids metering equipment. As testament to this, today thousands of our feeders are giving accurate and reliable performance world-wide. Their performance and dependability is unrivalled, making life easier for those who depend on us and enhancing the quality of their product too.



Delfweg 18, NL-2211 VM Noordwijkerhout-Holland
 Tel.: +31 (0)252 375068 - Email: info@tbma.com
 Tel.: +32 (0)9 236 64 69 - Email: info@tbma.be
www.tbma.com

For further information, visit our web site. To discuss an application, give us a call.

Other Volumetric Feeders



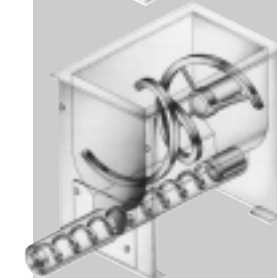
Series 170

The unique chamber configuration is the basis of ultra-hygienic, self-emptying 'Flavour Applicators' specifically for food industry applications and self emptying 'RapiChange' feeders for the plastics industry



Series 105 and 140

Double concentric augers to accommodate a wide variety of materials



Series 1015

Dual augers for medium free flowing materials and minimal product residue



Series BDF

Dissimilar speed triple auger mechanism for the most difficult non-free flowing materials

Other Acrison Products...

- Models V101 and V130 Fibreglass Feeders
- Model W105 Volumetric Feeder Series
- Model 200 Series of Weigh Belt Feeders
- Model 203B Series of Weigh Auger Feeders
- Models 401, 402 and 404, 405 and 406 ("Weight-Loss-Differential") Weigh Feeders
- Model 403 Series ("Weight-Loss-Differential") Weigh Feeders
- Model 403B (D) Batch/Dump Weighing Systems
- Model 404BZ (BU) Bulk Bag Unloader Batch Weigher
- Models 350 and 301 Continuous Blenders and Blending Systems
- Multiple Auger Bin Dischargers and Multiple Auger Bin Discharger Hoppering Systems
- Vibratory Bin Dischargers
- Model 500 Series of Polyelectrolyte Metering and Wetting Systems
- Water and Waste Water Treatment Systems
- Volumetric and Gravimetric Feeder Controllers and Control Systems
- Model 270 In-line Weigh Feeder