

- Sanitary rotary valve
- Unrivalled design
- Protective system up to 3 barg (St1 and St2)
- Frequent cleaning and inspection
- 24/7 industrial applications
- USDA Dairy Accepted

DT-DCSR-2T rotary valve with sliding bars

The DCSR-2T USDA Dairy Accepted rail valves are the perfect fit for any sanitary lean phase conveying application where prevention of product contamination is top of the list. The valves are available in drop through (DT) or blow through (BT) version and are equipped with a tapered rotor and body. This design ensures that at no point the rotor and body will come into contact while opening or closing the valve.

The DT-DCSR-2T valves are equipped with supporting sliding bars as well as an easy-detachable rotor and end cover to enable quick opening and closing for inspection and cleaning.

Design

- Sizes from 150-350 mm
- DIN drilling pattern
- Operating temperature up to 150 °C
- 10 bar pressure shock resistant
- Product contact surfaces polished to 0,8 µm
- Dairy sanitary seals
- Dairy air purge

Options

- Zero speed sensor
- Rotor Interference Sensor (RIS)
- High temperature version
- ANSI/JIS drilling patterns
- Product contact surfaces polished to 0,4 µm

Also, when extracted the rotor can be smoothly rotated for easy cleaning. The clearances of the rotor are prefixed during manufacturing, so no special tools or techniques are needed for the clearance settings.

DT-DCSR-2T rotary valves are suitable for use in dairy, food, pet food, pharmaceutical and other dry solids bulk handling industries. The valves are supplied in stainless steel 316 and equipped with a fixed 8 bladed rotor with radiused u-shaped pockets. All product contact surfaces are standard polished to 0,8 µm, optional up to 0,4 µm.

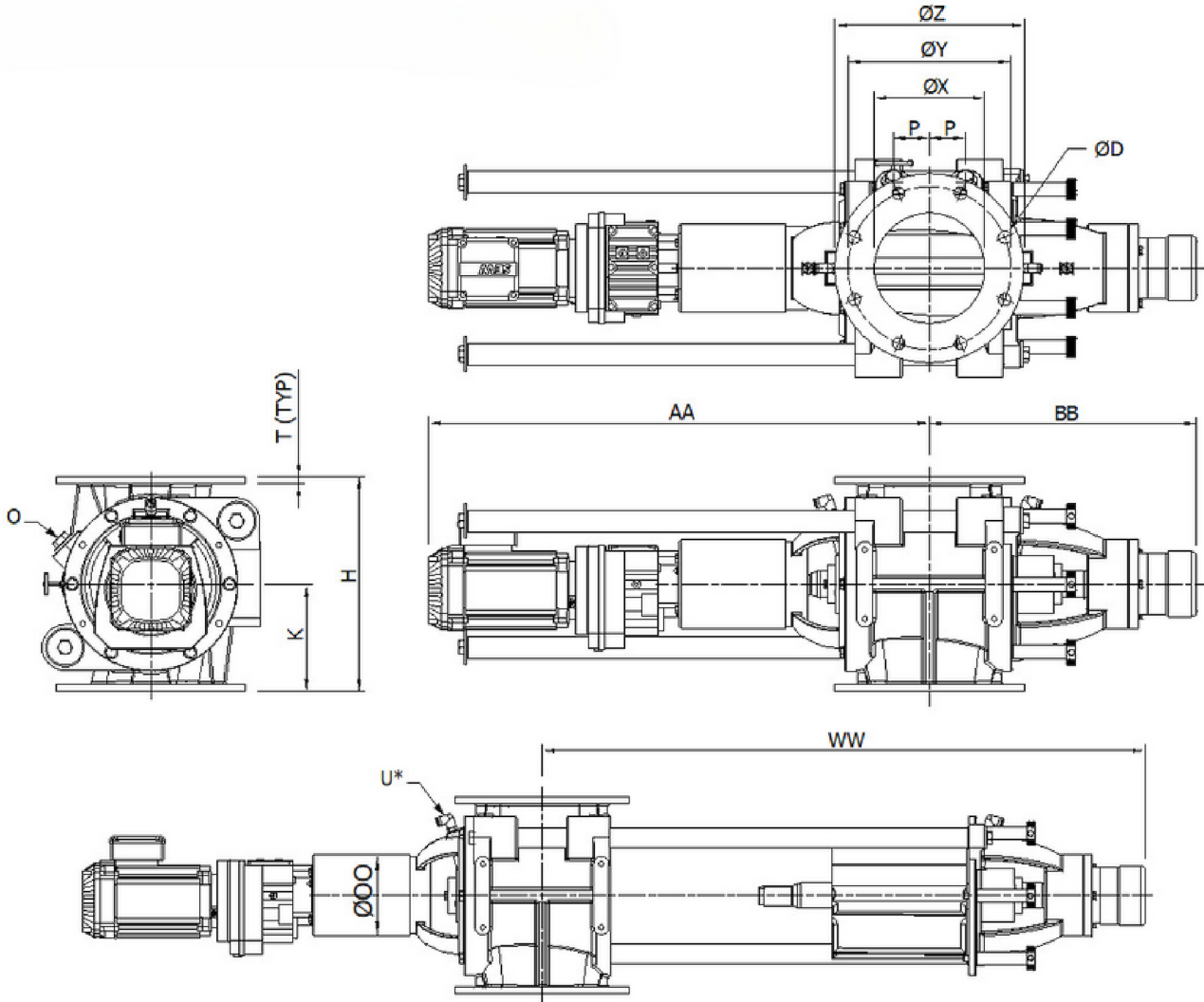
Features

- Maximum filling efficiency
- Reduced air leakage
- Increased safety at work
- ATEX compliant
- USDA Dairy Accepted
- EHEDG compliant

Applications

- Powders, granules and pellets
- Dense or dilute phase conveying
- Vacuum conveying
- Gravity feeding and metering





Type DT	ltr/rev	DIN			ANSI			H	K	P	T	U* (BSP)	Ø dairy (UNEF)	AA	BB	Ø00	WW	Type SEW
		ØX	ØY	ØD	ØZ	ØY	ØD											
150	2,5	150	240	8xØ23	285	241,3	8xØ23	280	140	40	12	¼"(Ø10)	1 ½"	815	320	120	760	RF37
175	5,5	175	270	8xØ23	315	-	-	330	165	53	14	¼"(Ø10)	1 ½"	860	370	120	880	RF37
200	10,5	200	295	8xØ23	343	298,4	8xØ23	390	195	65	14	¼"(Ø10)	1 ½"	1015	420	160	1130	RF47
250	19	250	350	12xØ23	406	361,9	12xØ25,4	450	225	75	16	¼"(Ø10)	1 ½"	1035	510	160	1190	RF47
300	34	300	400	12xØ23	483	431,8	12xØ25,4	540	270	95	21	¾"(Ø10)	1 ½"	1060	620	200	1430	RF57
350	58	350	460	16xØ23	530	476,2	16xØ28,6	660	330	112	26	¾"(Ø10)	1 ½"	1215	730	200	1670	RF67

* air purge connection
ANSI / JIS flange drilling holes are available on request.

All dimensions are in mm.
Note: we reserve the right to modify the dimensions without prior notice.