

## Turbo Mixer / High-Speed Dissolver

The Turbo mixer is specifically designed for the efficient mixing, homogenising and volume dispersing of powders in liquid media, particularly where effective solids wetting and fine dispersion are required at comparatively low energy input levels.

With its height adjustable dispersion disc and mixer scraper the Turbo mixer is especially suitable for dispersing temperature sensitive materials like color additives in paint or PVC compounds.

The Turbo mixer can handle viscous liquids up to 25.000 cP at a solid contents up to  $\pm 80\%$ . The mixer is designed and manufactured according to PED guidelines for full vacuum and pressures up to 6 bar.

### Important features:

- Minimum dispersion time
- High dispersion efficiency
- Closed system, suitable for full vacuum and over pressure.
- Low energy input levels.
- Remote or automatic height adjustment of dispersion disc.
- Conical execution for variable batch sizes.
- Heating- or cooling jackets available.
- Capacities from 500 up to 10.000 litres.

### High dispersion quality

The standard Turbo mixer is fitted with a centrally mounted static, high speed dispersion disc with fixed diameter and a slow speed, mixer scraper to prevent build up of product on the vessel wall and to provide secondary mixing of the product, thereby complimenting the main dispersion disc. This combination will give you an effective mixing result with low energy input levels.

A further, optional, feature is the "Raise and Lower" device. The control can be automatically set via a microprocessor which continually searches for the highest shear absorbed by the main drive motor. The combined action of these three features: main disc, mixer scraper and height adjustment create a high dispersion quality.

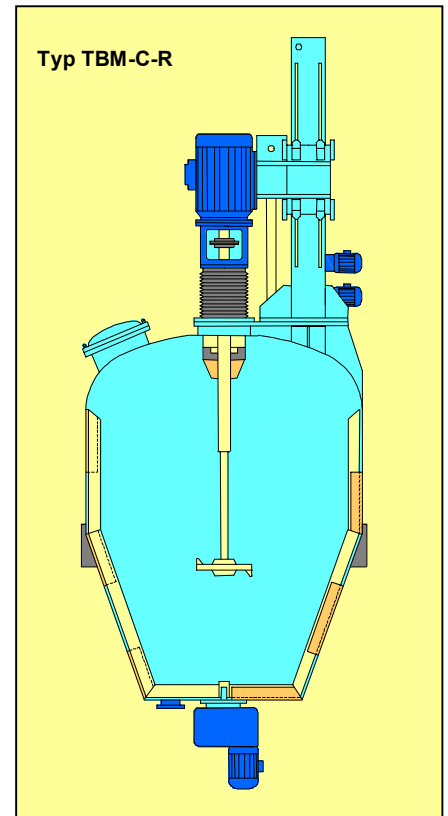
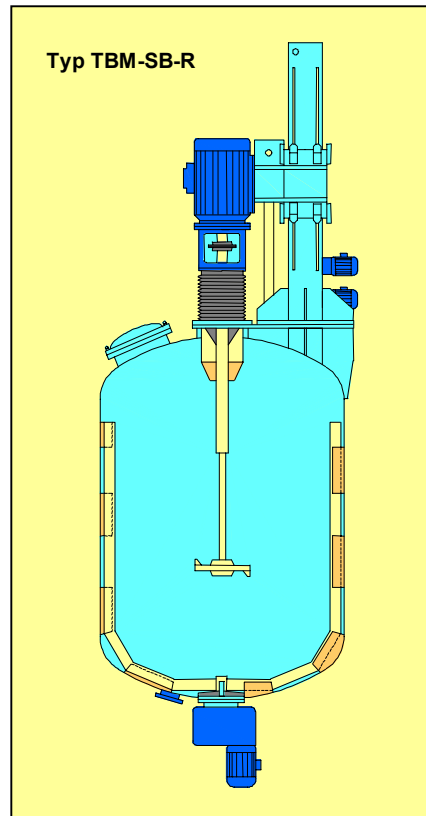
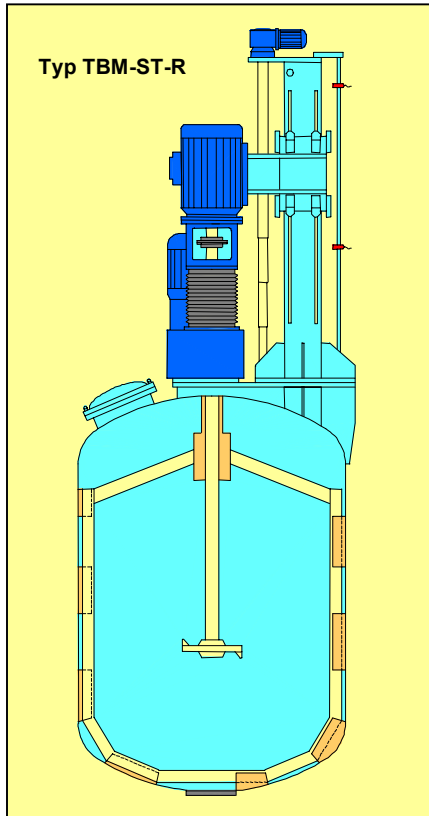


Turbo-Mixer for artificial leather production



Top view of 4 High speed Turbo-mixers / dissolvers with capacity of 3.000 ltr. each

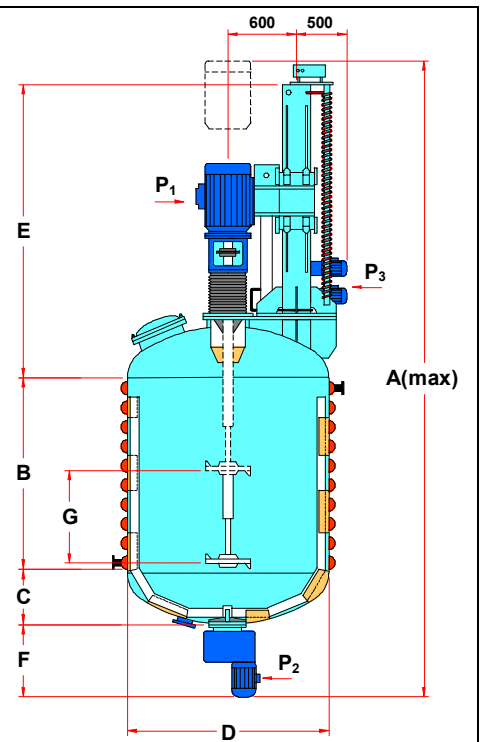
## Turbo mixer executions and options



## Turbo mixer dimensions

Volume in Ltr.	A (mm)	B (mm)	C (mm)	D (mm)	E (mm)	F (mm)	G (mm)	P1- (kW)	P2- (kW)	P3 (kW)
500	3930	600	310	1000	2430	590	350	22,5	3,0	0,25/0,25
1000	4480	900	360	1200	2630	590	500	30	3,0	0,25/0,25
1500	5110	1300	360	1200	2780	670	650	37	4,0	0,25/0,25
2000	5220	1300	415	1400	2835	670	650	37	4,0	0,25/0,25
2500	5455	1365	440	1500	2910	740	700	45	5,5	0,25/0,25
3000	5640	1450	465	1600	2985	740	750	45	5,5	0,25/0,25
4000	5965	1600	505	1750	3075	785	800	55	7,5	0,25/0,25
5000	5945	1500	570	2000	3090	785	750	55	7,5	0,25/0,25
7500	6690	1900	620	2200	3290	880	900	75	11,0	0,25/0,25
10000	7050	2000	700	2500	3470	880	1000	90	11,0	0,25/0,25

- All dimensions are approximate
- P1 en P2; Powers are based on Newtonian liquids and could vary for other materials.
- P3; Hydraulic version / Cooling / Lifting



All rights reserved. Reproduction or issue to third parties in any form whatever is not permitted without written authority from the proprietors. TBMA reserve the right to make alterations in construction and/or dimensions without further notice. Illustrations and specifications may differ from final execution. Although this information has been compiled with the utmost care, no liability can be assumed for inaccuracies of any kind. © Copyright TBMA - TBM 04-2002



P.O. box, NL-2210 AC  
 Delfweg 18, NL-2211 VM  
 Tel.: +31(0)252 37 50 68  
 E-mail: info@tbma.com

Noordwijkerhout-Holland  
 Noordwijkerhout-Holland  
 Fax: +31(0)252 37 54 36  
 Internet: www.tbma.com