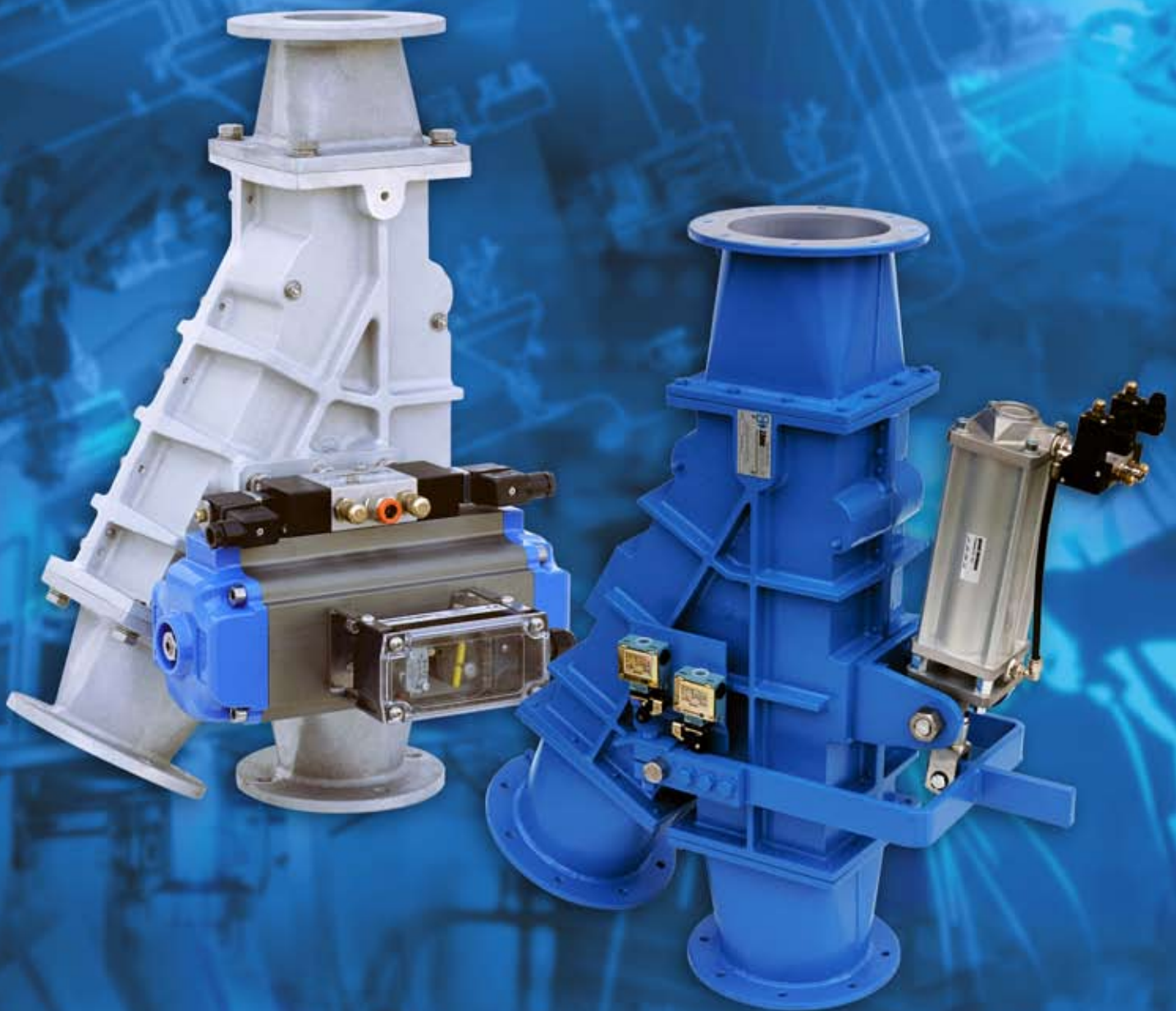


BETTER IN DIVERTER VALVES

Two-way flap type diverter valve Type VD



 **tbma**

www.tbma.com

Components for Dry Solids Handling

Two-way flap type diverter valve type VD

Application

Two way flap diverter valve type VDR is employed in pneumatic conveying systems to divert the product flow from one to two conveying pipe lines. The deflection is obtained by a flat flap equipped with lateral seals that for their particular construction, permit the diverter to be employed with any type of product and requirement. The VDR flap type diverter valve is made from aluminium alloy casting or stainless steel and is available in 7 sizes in the range from DIN60 up to DIN180.

Product information

The VDR valves have a cast body machined inside and can be supplied bare shaft, manually - or pneumatically operated. The valves have an actuator according to ISO 5211/ DIN 3337 directives, complete with electro valves with NAMUR connections.

The diverter may be used without interrupting the flow. The valve can be used to distribute the flux alternatively to both lines (standard model) or to converge alternatively the two lines into a single one (convergent model VDR/C).

Standard design features

- Adjustable connectors for a wide range of pipe diameters
- Low product resistance
- Small diverter angle -30°
- Large number of executions
- Solid construction
- High sealing efficiencies
- Dust-tight up to 0,7 bar

Construction materials

The VDR is available in the following versions:

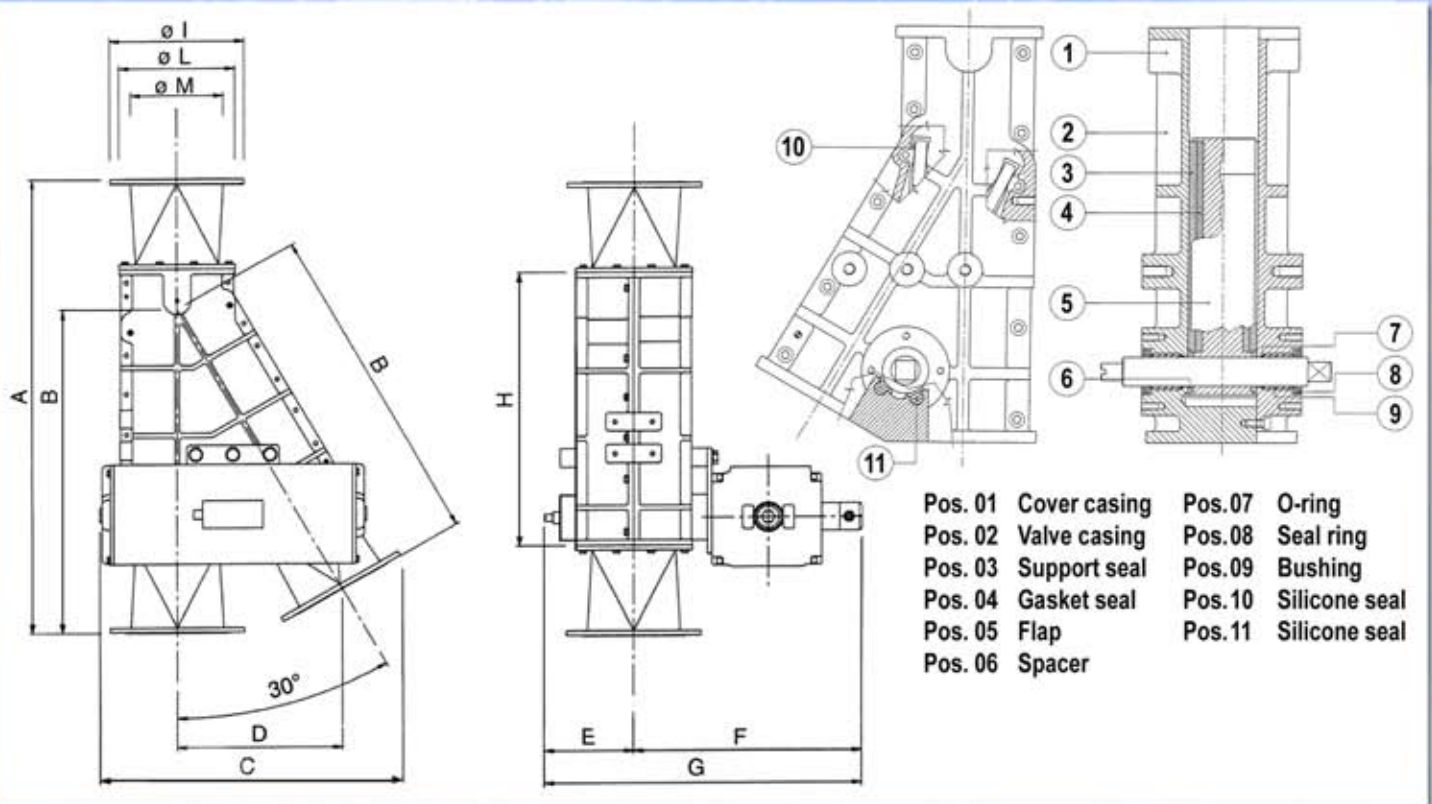
- Stainless steel Aisi 304/Aisi 316
- Aluminium alloy casting GALSI 7 GT SA
- Aluminium alloy casting GALSI 7 GT SA with surface treatment

The range may be equipped with the following:

- Piping connections with Ansi 150 lb flanges
- UNI 2277/67-PN10 flanges



Dimensions Type VD diverter valve



| VDR | 60 | 80 | 100 | 120 | 135 | 160 | 180 |
|---------|-----|-----|-----|-----|-----|-----|------|
| A | 511 | 565 | 645 | 700 | 770 | 800 | 1000 |
| B | 323 | 385 | 452 | 492 | 545 | 586 | 711 |
| C | 272 | 324 | 383 | 458 | 505 | 590 | 653 |
| D | 161 | 193 | 225 | 246 | 272 | 293 | 355 |
| E | 104 | 115 | 128 | 148 | 159 | 182 | 193 |
| F | 243 | 277 | 305 | 365 | 410 | 485 | 495 |
| G | 347 | 392 | 433 | 513 | 569 | 667 | 688 |
| H | 363 | 365 | 395 | 450 | 520 | 550 | 600 |
| Kg INOX | 32 | 38 | 41 | 57 | 80 | 108 | 133 |
| Kg. AL | 18 | 22 | 27 | 36 | 50 | 74 | 86 |
| l/Cycle | 1.1 | 1.8 | 1.8 | 4.2 | 8.4 | 15 | 15 |

| VD | 60 | 60 | 60 | 60 | 80 | 80 | 80 | 100 | 100 | 100 |
|-----|------|------|------|------|------|------|------|------|-----|------|
| M | 50 | 55 | 60 | 70 | 76 | 80 | 89 | 102 | 108 | 114 |
| L | 85 | 85 | 95 | 105 | 115 | 125 | 130 | 145 | 145 | 155 |
| I | 110 | 110 | 125 | 130 | 140 | 155 | 160 | 175 | 175 | 185 |
| Dxn | 10x4 | 10x4 | 10x4 | 10x4 | 10x4 | 12x4 | 12x4 | 12x6 | 185 | 12x6 |

| VD | 100 | 100 | 120 | 120 | 135 | 135 | 160 | 160 | 180 | 180 |
|-----|------|------|------|------|------|------|------|------|------|------|
| M | 120 | 125 | 133 | 140 | 150 | 160 | 168 | 180 | 200 | 220 |
| L | 160 | 170 | 175 | 180 | 195 | 200 | 215 | 230 | 250 | 270 |
| I | 190 | 205 | 215 | 220 | 230 | 230 | 250 | 270 | 290 | 300 |
| Dxn | 12x6 | 12x6 | 12x6 | 12x6 | 12x6 | 12x6 | 12x6 | 12x8 | 12x6 | 12x8 |

TBMA Europe bv, P.O. Box 140, NL-2210 AC Noordwijkerhout - Holland

E-mail: sales@tbma.com Tel.: +31(0) 252 37 50 68

www.tbma.com