

# BETTER IN DIVERTER VALVES

Dual Channel Plug Diverter Type TWD



 **tbma**

[www.tbma.com](http://www.tbma.com)

Components for Dry Solids Handling



## Dual Channel Plug Diverter Type TWD

### Application

The diverter TWD is used as a diverter and converging device in pneumatically operated pressure and vacuum conveying systems. This two-way diverter proves its efficiency in particular when it comes to processing hard-to-handle powders or granular products. The wear-resistant parts can easily cope with a high conveying pressure or outdoor installation.

### Design characteristics

Durable cast housing with connecting flanges, swivel unit for diverting the product flow and pneumatic drive turning the rotation pipe in the housing

### Specific features

- Minimal switching time because of two separate channels
- Diverting angle 35°
- Flange size: ND50 - ND125
- Flange execution DIN 2501 PN 10 or ANSI 150 lbs
- Pressure shock resistant up to 10 bar
- Suitable for pressures up to 2.0 bar
- Standard operating temperature: -20 bis +80°C
- Limit switch for electrical remote display of valve position
- Electro-pneumatic direct drive unit (air pressure 6 bar)
- Pressure tight according to requirements
- Fitting length 440 - 700 mm

### Technical execution

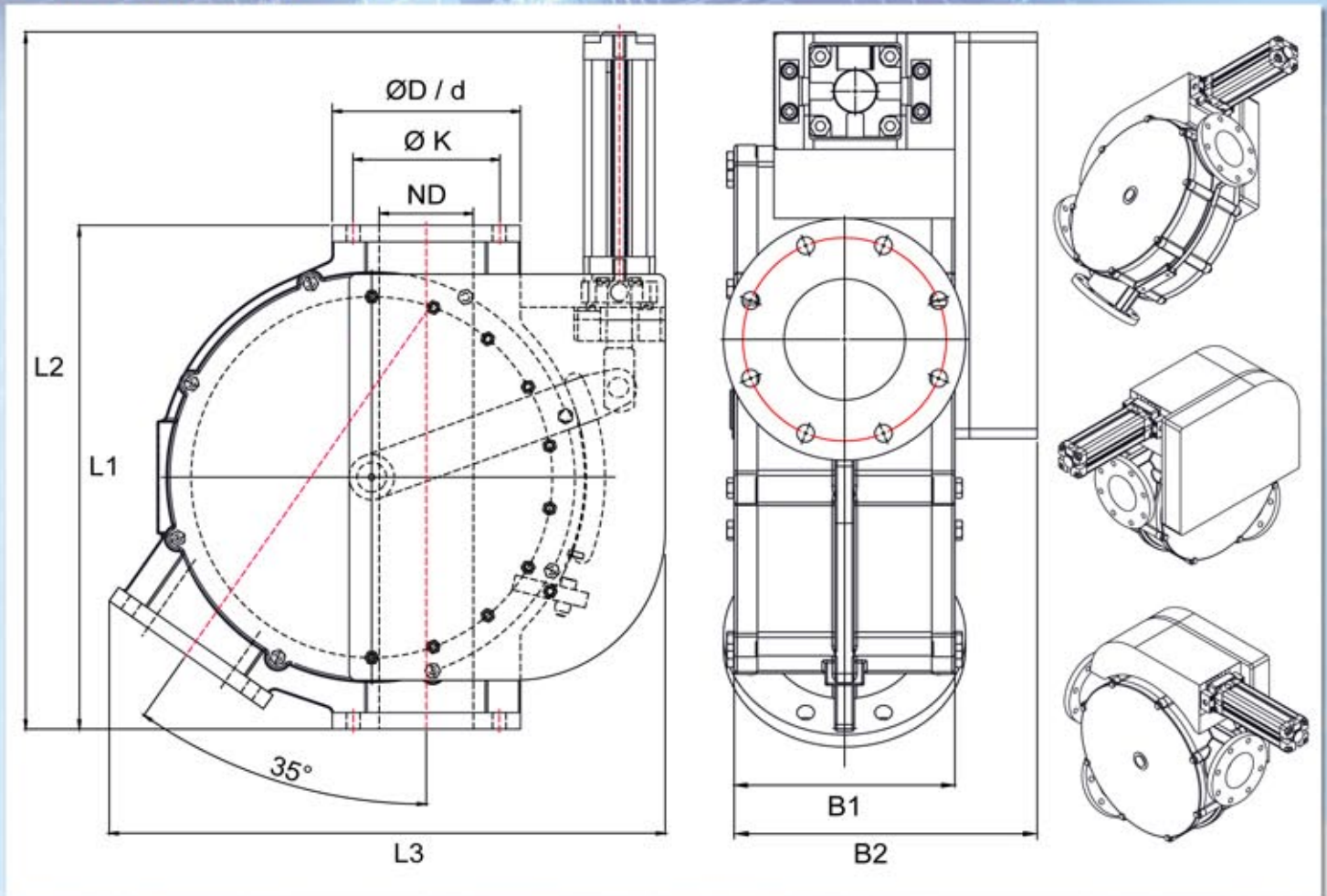
- Housing made of cast aluminium with flange connections
- Conical plug swivel unit with 2 channels made of cast aluminium with built-in conveying pipes made of stainless steel
- Actuation swivel by pneumatic cylinder
- 5/2 solenoid valve 24V DC or special voltages

### Accessories and special designs

- Weather protection hood
- Frost protection
- Safety guard around piston rod
- Design according to ATEX directive 94/9/EC for operation in zone 21 and 22







Size	ND	L1	L2	L3	K	d	D2	B1	B2	Air consumption	Overall dimensions	kg
56	56	390	593	568	125	4x Ø18	185	144	234	7 ltr.	650x750x300	50
65	65	470	687	557	160	4x Ø18	200	164	254	10 ltr.	750x750x300	60
85	85	470	687	557	160	4x Ø18	200	164	254	10 ltr.	750x750x300	60
110	110	570	810	671	180	8x Ø18	220	200	290	12 ltr.	800x750x400	72
125	125	670	860	686	210	8x Ø18	250	219	310	15 ltr.	850x750x400	105

**PN10:** Standaard flensboorpatroon - Standard drilling pattern - Standard Flanschanschluss - Plan de perçage standard  
 Afwijkende boorpatronen op aanvraag - Alternative flange drilling patterns on request  
 Andere Flanschanschlussmaße auf anfrage - Types spéciaux d'alésage de bride sur demande

**Note:** Afmetingen in mm tenzij anders aangegeven - Wijzigingen voorbehouden  
 Dimensions in mm unless otherwise specified - Subject to change  
 Abmessungen in mm sofern nicht anders angegeben - Änderungen vorbehalten  
 Toutes les dimensions sont données en mm sauf indication contraire - Sous réserve de modifications