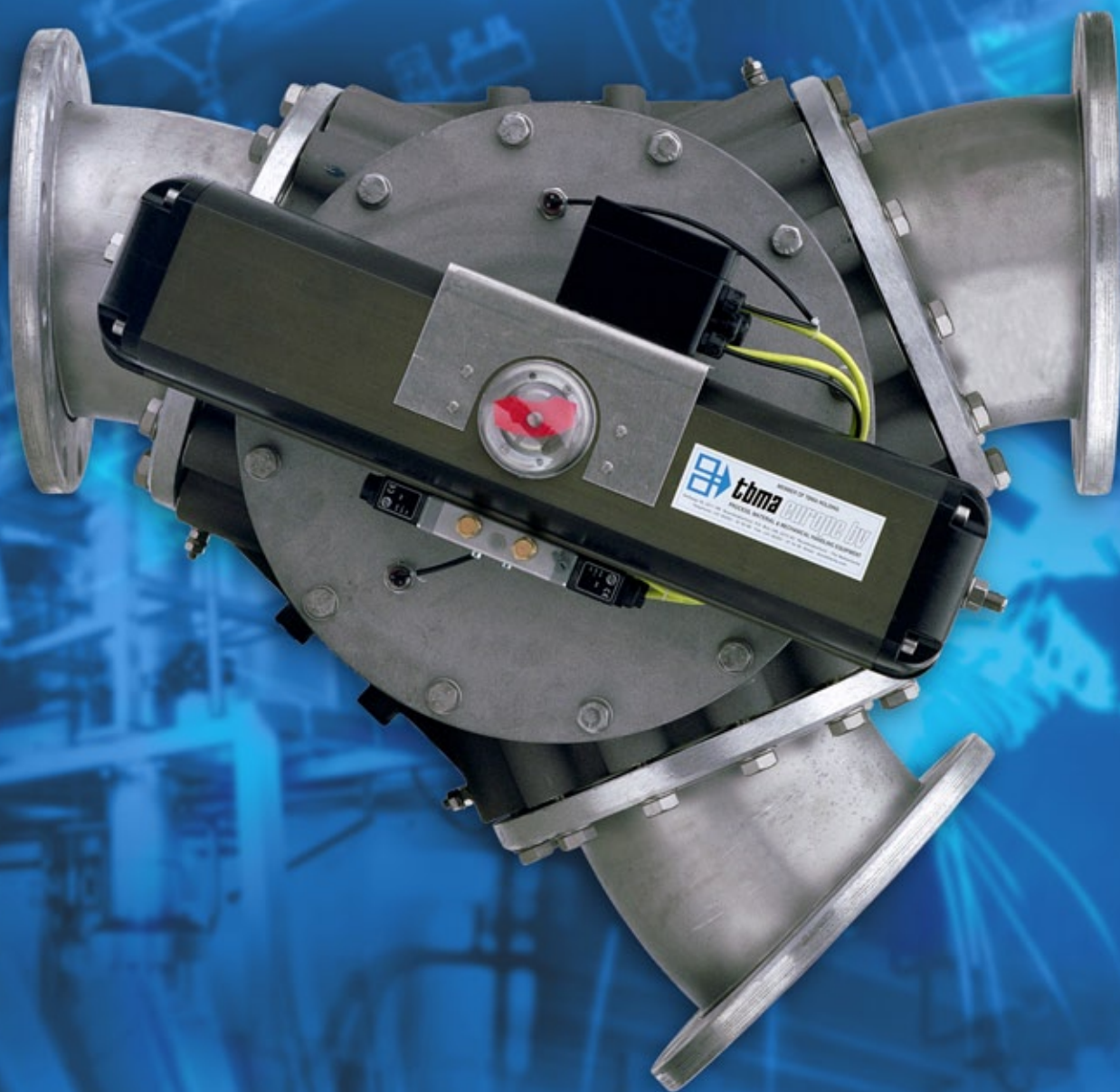


BETTER IN DIVERTER VALVES

Single channel plug diverter Type STDV



 **tbma**

www.tbma.com

Components for Dry Solids Handling

Single tunnel plug diverter valve type STDV

Application

A plug diverter is used in situations where a flap type valve is unsuitable due to high line pressures or abrasive materials. Plug diverters are especially suited for full vacuum conveying systems or applications whereby leakage or product contamination is not acceptable. The universal single tunnel diverter valve type STDV is designed to divert or combine solids in powder or granular form in dilute or dense phase pneumatic conveying handling systems.

These diverter valves are used in more heavy duty applications especially in situations where various diverting angles are required. Single channel diverter valves are designed for a maximum system pressure of 3,5 bar.

Standard design features

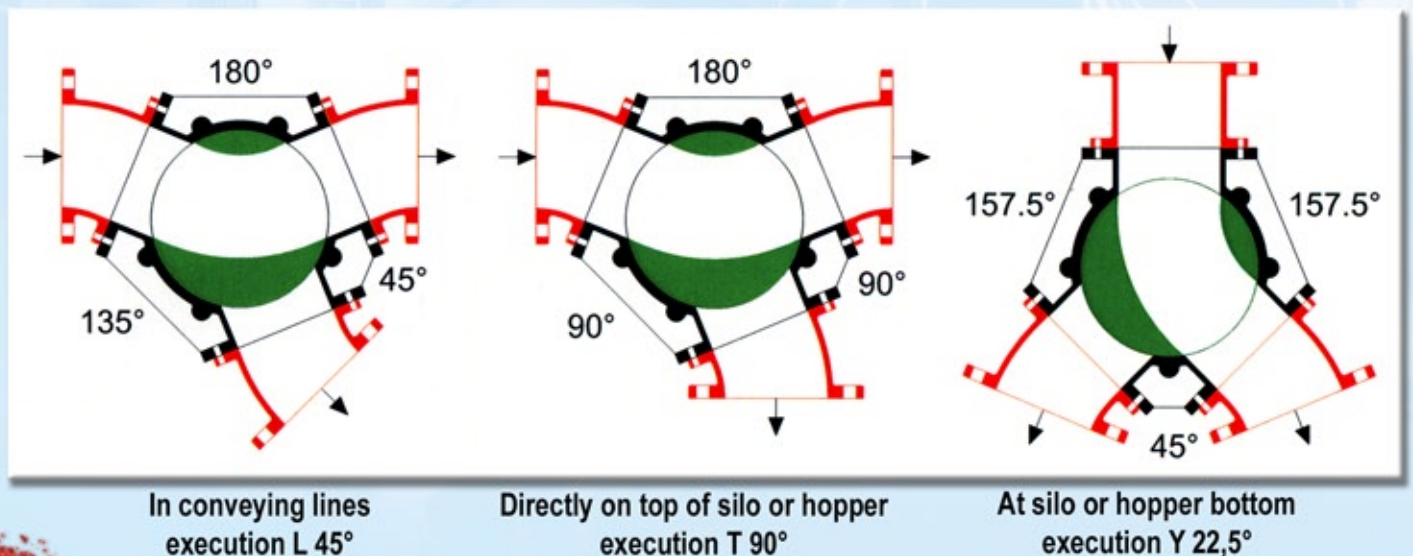
- Universal application as L, T or Y diverter valve with identical housing, plug, side plates and interchangeable pipe couplings
- Static or dynamic sealing on both ports of plug
- Powerful pneumatic actuator with integrated support pads
- No moving parts outside package unit for max. work safety
- Plug with one single channel
- Diverting angle 45°, 90° or 22,5°
- Position change without stopping gas stream
- All solids contact parts made of stainless steel
- Designed for max. system pressure of 3,5 barg
- Max. solids temperature up to 120°C
- Available in 4 sizes from 150 mm up to 300 mm



Material of construction:

- Housing in alu. casting + inserted stainless steel pipes
- Side covers made of aluminum casting
- Plug in aluminum casting with stainless steel pipes
- Shaft and all bolts made of stainless steel

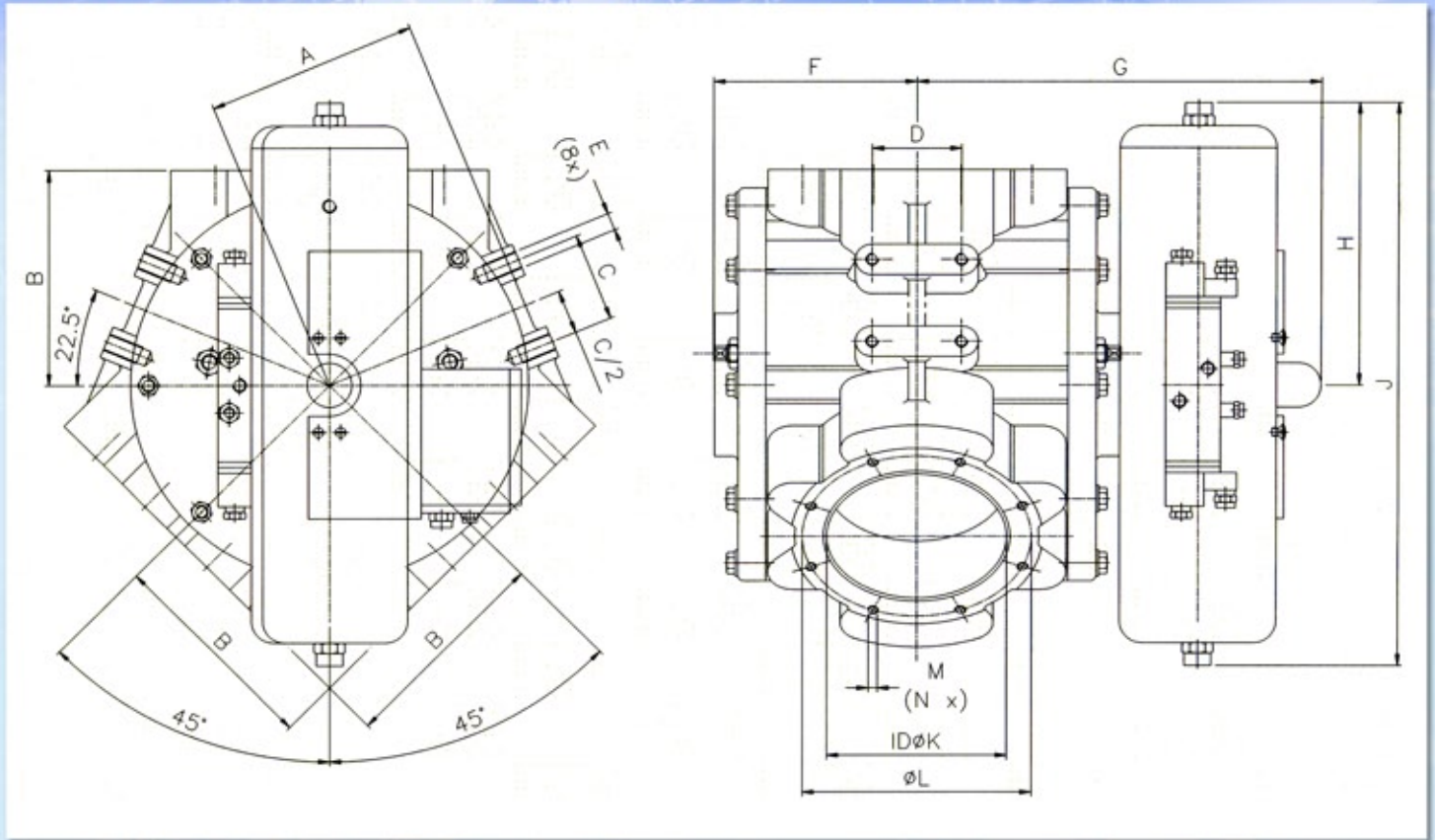
Different modes of application



TBMA Europe bv, P.O. Box 140, NL-2210 AC Noordwijkerhout - Holland
E-mail: sales@tbma.com Tel.: +31(0) 252 37 50 68

www.tbma.com

Dimensions type STDV single tunnel plug diverter



STDV	A	B	C	D	E	F	G	H	J	ØK	PN10, DIN 2501			ANSI 150 LBS			kg
											ØL	M	N	ØL	M	N	
150 NB	200	200	80	80	M16	192	365	270	540	162,3	240	M20	8	241,3	M20	8	145
200 NB	245	235	80	80	M16	225	400	315	630	213,1	295	M20	8	298,5	M20	8	210
250 NB	290	285	100	100	M16	255	460	380	760	267	350	M20	12	362	M24	12	320
300 NB	330	325	100	100	M16	296	500	380	760	317,9	400	M20	12	431,8	M24	12	470

PN10: Standard drilling pattern - Alternative flange drilling patterns on request
 Standaard flensboorpatroon - Afwijkende boorpatronen op aanvraag
 Standard Flansanschluss - Andere Flansanschlussmaße auf anfrage
 Plan de perçage standard - Types spéciaux d'alésage de bride sur demande

Note: Dimensions in mm unless otherwise specified - Subject to change
 Afmetingen in mm tenzij anders aangegeven - Wijzigingen voorbehouden
 Abmessungen in mm sofern nicht anders angegeben - Änderungen vorbehalten
 Toutes les dimensions sont données en mm sauf indication contraire - Sous réserve de modifications

Type designation

STDV - 150 - AL/SS - AL/SS

- Housing and side covers made of aluminium with inserted stainless steel pipe
- Plug made of aluminium with inserted stainless steel pipe
- Nominal diameter in mm
- Single tunnel diverter valve

TBMA reserve the right to make alterations in construction and/or dimensions without further notice. Illustrations and specifications may differ from final execution. Although this brochure has been compiled with the utmost care, no liability can be assumed for inaccuracies of any kind.

TBMA Europe bv, P.O. Box 140, NL-2210 AC Noordwijkerhout - Holland
 E-mail: sales@tbma.com Tel.: +31(0) 252 37 50 68

www.tbma.com